



Product Description

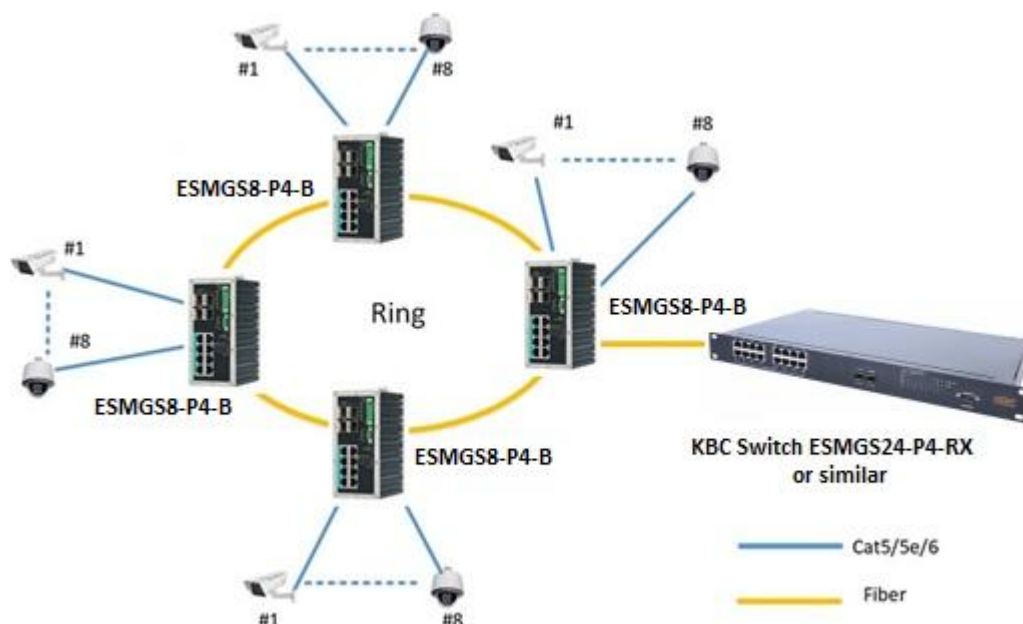
The KBC ESMGS8-P4-B series is a high performance 12 port, industrial, managed gigabit switch with eight 10/100/1000M PoE ports and four gigabit SFP ports. The eight PoE ports support IEEE802.3af/at standard. The switch supports Ethernet Ring Protection Switching (ERPS) as well as STP/RSTP/MSTP. It also supports Web-based network management, VLAN, QoS, SNMP, IGMP snooping and other network functions. LED indicators provide connection status when using SFP option. Rugged design with IP40 enclosure and industrial level 3 protection makes it suitable for a lot of applications such as Intelligent Transportation System, IP surveillance applications and industrial networks. The product is available for DIN or wall-mount configurations.



Product Features

- 8* 10/100/1000Base-T Ethernet ports (PoE)
- 4* 1000Mbps SFP Uplink (SX or LX) ports
- EPRS (typical recovery time < 30ms over 250 units of connection)
- Different redundancy protocols and standards STP / RSTP / MSTP
- SNMPv1/v2c/v3 & RMON & Port base/802.1Q VLAN network management
- WEB, Telnet, SSH, Console (CLI)
- Open and close port, binding MAC and port
- 802.1x network access control
- 802.1Q protocol, Isolate network flow
- Radius Centralized password management
- IGMP Snooping multicast function
- IEEE802.3af/at standard.
- Overload current protection and reverse polarity protection
- LED displays connection status when using SFP
- IP40 enclosure protection
- Unique DIN mount design makes mount and removal easy

Typical System Configuration



Specifications

Standards

IEEE Ethernet Standards IEEE 802.3, IEEE 802.3u, IEEE 802.3ab, IEEE 802.3z, IEEE 802.3x, IEEE 802.3ad, IEEE 802.3az, IEEE 802.1d, IEEE 802.1p, IEEE 802.1q, IEEE 802.1w, IEEE 802.1s, IEEE 802.1x, IEEE 802.1w, IEEE 802.1s, IEEE 802.1x

Ports⁽¹⁾

10/100/1000Base-T(X) RJ45 (8)
Downlink
1000Mbps SFP Uplink SFP (4)
(SX or LX)

Switch Performance

Architecture Store-and-forward
Bandwidth 24Gbps
Buffer 4M
Mac Address Table 8192

PoE

Standard IEEE802.3af/at
PSE Type End-span
Power Pin Assignment 1/2 (+), 3/6 (-)
Power Output ⁽²⁾ Each port up to 30W

Management

Port configuration Port enable/disable;
Port rate settings;
Full-duplex mode; Flow control;
VLAN 4K VLAN; Port-based VLAN;
802.1Q VLAN protocol
Multicasting SNMP V1/V2/V3 protocols;
IGMP Snooping
IGMP multicast group:1024

Console Port

USB (115200-8-N-1)

Mechanical

Enclosure IP40
Dimension (WxDxH) 68mm x 102.5mm x 146mm
Weight 0.9kg

PoE Management

Total Power Consumption Control;
PoE ON/OFF; Port Output Priority;

Security Feature

Enable/disable ports
MAC based port security
Port-based network access control (802.1x); VLAN (802.1Q);
Radius centralized password Management;
SNMP v1/v2c/v3 encrypted authentication and access security;
TACACS+ authentication;
IP and MAC ACLs;
DHCP Snooping

Protocols

ERPS/STP/RSTP/MSTP, SNTP, 1588 PTP Client, DHCP Server/Client, MVR, IGMP v1/v2/v3, GMRP, GVRP, SNMP v1/v2c/v3, TFTP, RMON, RARP, HTTP, HTTPS, Telnet, SSH, Syslog LLDP, IPv6, NTP Server/Client

Warning & Monitoring

Relay output for fault event alarming
Syslog to record and view events
Event selection support

Relay Output

1A@24VDC NC or NO

Power⁽³⁾

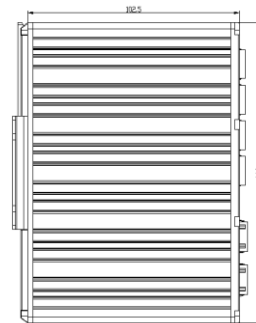
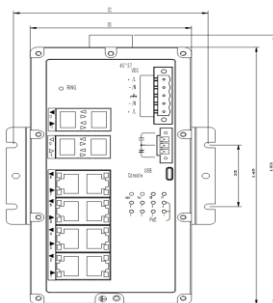
Redundant Power Input 46 ~ 57Vdc
Power Consumption < 10W (Without PoE output)
POE budget 240W
Overload Current Protection Yes
Reverse polarity protection Yes

Protection

Surge 6KV, IEC61000-4-5
ESD ESD Level 4: IEC61000-4-2
RS Level 3: IEC61000-4-3
EFT Level 4: IEC61000-4-4
CS Level 3: IEC61000-4-6

Environmental

Operating Temperature -40° ~ +75° C
Storage Temperature -40° ~ +85° C
Operating Humidity 5% to 95% non-condensing



Order Information

ESMGS8-P4-B: Managed, 8*10/100/1000 Base-T POE/POE+, 4Gigabit SFP

- SFP module sold separately
- Each port supports a maximum of 30W output. Output can be managed via Web software.
- Power supply sold separately.

Due to ongoing technological improvements, product specifications are subject to change without notice. KBC is not liable for any errors, omissions or changes of any description of the goods contained herein. This information is for the sole purpose of identifying the products and KBC makes no warranty that the products conform to any description contained herein. Do not rely solely on any representations, statements, or assertions concerning these Products contained herein.