



Product Description

The KBC VE-DINPOE5 Ethernet series is a 5 port, unmanaged industrial switch. The switch provides connectivity for up to five 10/100/1000Mbps twisted pair copper ports which are automatically configured. 4 of the ports supply IEEE802.3af/at compliant PoE with up to 35W per port (maximum of 70W in total). The series is designed for use in a wide range of operating temperatures in non-environmentally conditioned, industrial applications. and with plug-and-play design provides ease and speed of installation.

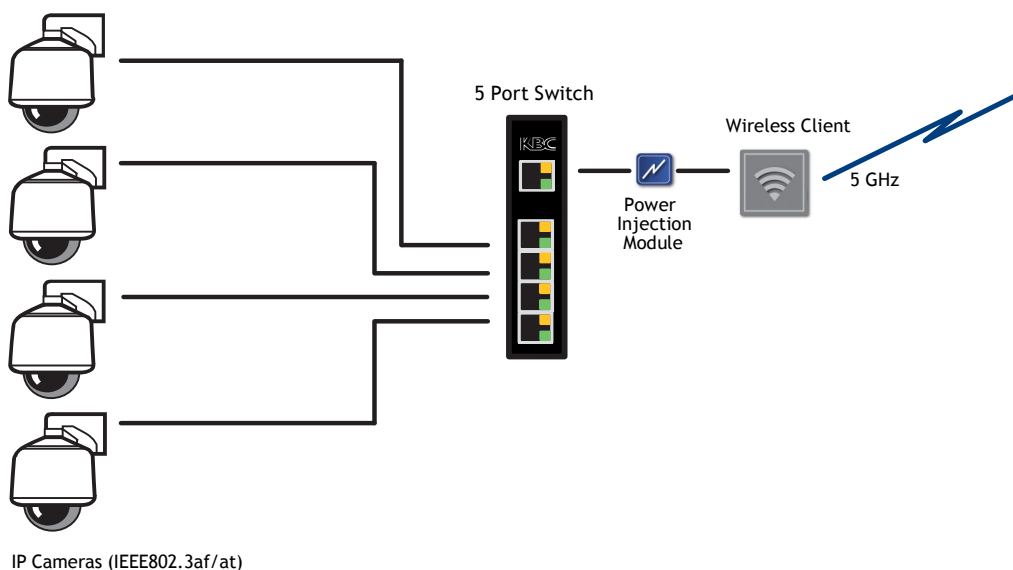
The series is available in a DIN rail configuration.



Product Features

- Input voltage: 12-36Vdc wire terminal connector
- 4 Ports IEEE 802.3af/at compliant 48V, 1 uplink port
- Gigabit data rate @ 10/100/1000Mbps
- Up to 35W per port; max 70W total
- Built in Surge Protection
- Operating temperature -20 ~ +75° C / -4 ~ +167° F

Typical System Configuration



Specifications

Standards

IEEE Standard	IEEE 802.3u 100BASE-TX IEEE 802.3x Full Duplex
---------------	---

Switch Performance

Switching Method	Store & forward
Transfer Rate	1488000 pps for 1000BaseT
Transmission Speed	Auto-negotiation for 10/100/1000Mbps
Protocol	CSMA/CD
MAC Address table	1k, self-learning

PoE

Standard	IEEE802.3af/at
Ports	Ports 1-4 auto-power management Pin assignment: Tx(1,2), Rx(3,6) V+(4,4),V-(7,8)
Power Supplied	Up to 35W per port, max 70W total
PoE Protection	Over temperature, over current, over/under voltage

Power

Power Input	24Vdc (12V - 36V), dual dc inputs, reverse polarity protected Also accepts PoE power input on uplink port
-------------	--

Power Consumption

Surge Protection	<4W IEC61000-4-2 (ESD) ±15kV(air), ±8kV(contact), IEC61000-4-4 (EFT) 40A (5/50ns) IEC61000-4-5 (Lightning) 20A (8/20µs)
------------------	---

Mechanical

Dimensions (W x H x D)	118mm x 40mm x 159mm/ 4.6" x 1.6" x 6.3"
Weight	383g / 13.50z

Environmental

Operating Temperature	-20° - +75°C / -4° - +167°F
Storage Temperature	-55° - +105°C / -67° - +221°F

Connectors

10/100/1000 Power	Shielded RJ45 Screw block terminal
LED Indicators	Green on, activity blinking
Link	Yellow on, error blinking
PoE Detect	Green on, power on alarm red on
Power	

Part Number

KBC-VE-DINPOE5

1. Unit is supplied with both DIN rail and wall-mount fittings.

Due to ongoing technological improvements, product specifications are subject to change without notice. KBC is not liable for any errors, omissions or changes of any description of the goods contained herein. This information is for the sole purpose of identifying the products, and KBC makes no warranty that the products conform to any description contained herein. Do not rely solely on any representations, statements, or assertions concerning these Products contained herein.