

Product Description

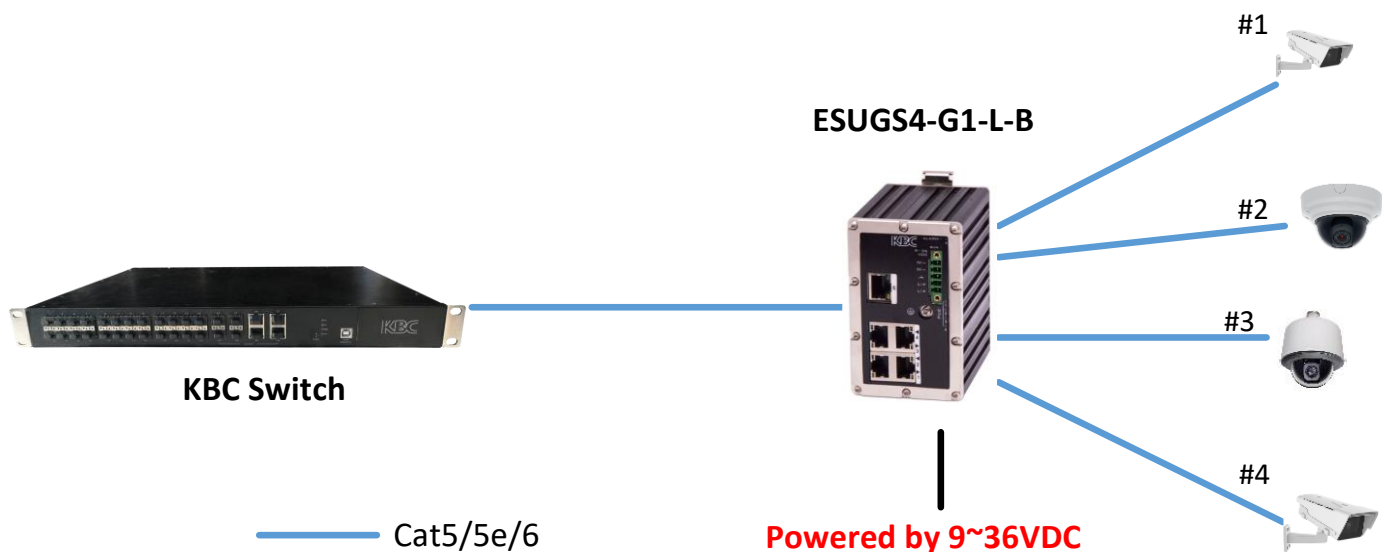
The KBC ESUGS4-G1-L-B is a high-performance, non-managed industrial switch with 5* 10/100/1000M auto-sensing copper port. Four of the copper ports support PoE/PoE+, with up to 30W output on each PoE port. **The switch is powered by 9~36VDC, so it is the right choice for applications with +12VDC or 24VDC power.** Unique mount design makes DIN mount and removal easy. The rugged design with IP40 and industrial level 3 ESD protection of the switch makes it suitable for use in harsh environment applications, such as power, transportation, pipeline, petrochemicals, industry automation and IP surveillance.



Product Features

- Non-managed industrial switch
- 5×10/100/1000Base-T(X) ports, 4 PoE+ ports
- Each PoE port output up to 30W
- Support IEEE802.3af&at
- **9 ~ 36VDC power supply input**
- Overload current protection and reverse polarity protection
- Level 3 ESD protection
- IP40 housing design
- Support DIN rail or wall mounted
- Unique DIN mount design makes mount and removal easy

Typical System Configuration



Specifications

Standards

| | |
|----------------|---|
| IEEE Standards | IEEE802.3 IEEE802.3u IEEE802.3x |
| | IEEE802.3z IEEE802.3ab IEEE802.3af&at |

Ports

| | |
|-------------------|--------------------------|
| 10/100/1000Base-T | RJ45(5, 4 with PoE/PoE+) |
|-------------------|--------------------------|

Switch Performance

| | |
|-----------------|-------------------|
| Architecture | Store-and-forward |
| Memory Buffer | 512K |
| Switch Capacity | 1.2Gbps |
| Mac Table | 1K |

PoE

| | |
|----------------------|------------------------|
| Standard | IEEE802.3af/at |
| PSE Type | End-span |
| Power Pin Assignment | 1/2(+), 3/6(-) |
| PoE Power Output | Up to 30W max per port |

Power ⁽¹⁾

| | |
|-----------------------------|------------------------------------|
| Redundant Power Input | 9~36VDC |
| Power Consumption | < 5W (without PoE) |
| PoE Budget | 80W max. with input voltage >18VDC |
| Overload Current Protection | Yes |
| Reverse polarity protection | Yes |

Protection

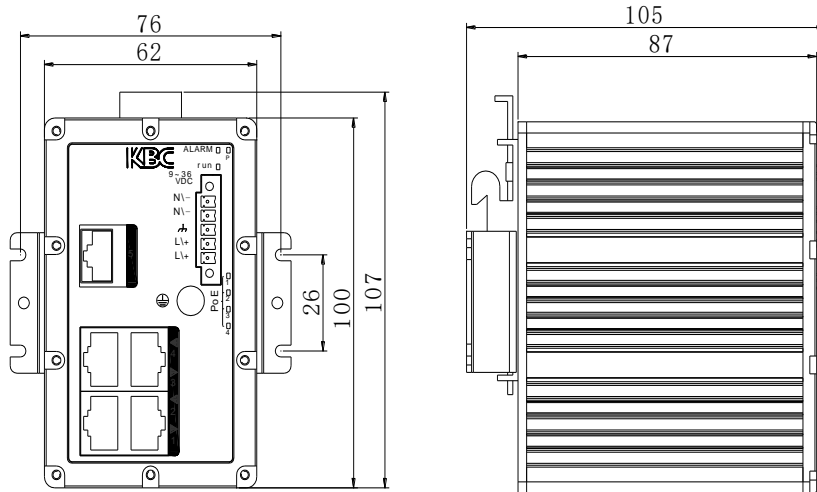
| | |
|-----------|--------------------|
| Enclosure | IP40 |
| ESD | Industrial level 3 |

Environmental

| | |
|-----------------------|--------------------------|
| Operating Temperature | -40°C ~ +75°C |
| Storage Temperature | -40°C ~ +85°C |
| Operating Humidity | 5% to 95% non-condensing |

Mechanical

| | |
|-------------------|---------------------|
| Dimension (L×W×H) | 62mm × 87mm × 100mm |
| Weight | 0.6kg |



Order Information

ESUGS4-G1-L-B: Unmanaged, 5×10/100/1000Base-T(X) ports, 4 PoE+ ports, 9~36VDC power input

1. Power supply sold separately.
2. PoE budget is related to power input. PoE budget is 45W with 9VDC; 60W with 12VDC; 80W with 18-36VDC.

Due to ongoing technological improvements, product specifications are subject to change without notice. KBC is not liable for any errors, omissions or changes of any description of the goods contained herein. This information is for the sole purpose of identifying the products and KBC makes no warranty that the products conform to any description contained herein. Do not rely solely on any representations, statements, or assertions concerning these Products contained herein.