

## Product Description

The KBC FR2-XX-XXX-B is a 2U rack with 16(\*) slots. Each slot can insert a card version of the following media converters:

- MCLN1-XXX-XX-B
- MCLN2-XXX-XX-B
- MCLS1-XXX-XX-B
- MCGN1-XXX-XX-B
- MCGN2-XXX-XX-B



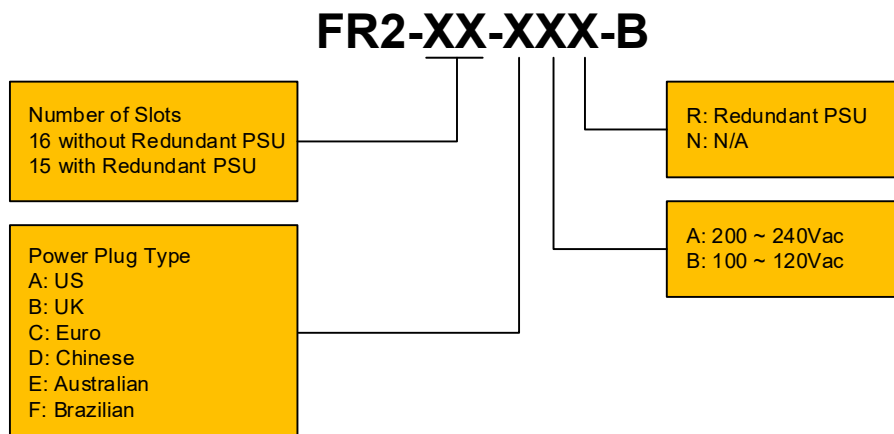
The rack can hold a total of 16(\*) media converters. All cards located within the rack are hot-swappable. There is no need to power down the chassis when replacing or making additions to the rack. All electrical and optical connections are on the rear.

A dual redundant PSU option is available with the second PSU requiring one slot of the chassis, leaving 15 slots for card modules.

## Specifications

<b>Power input</b>	100~240VAC @2A	<b>Operation temperature</b>	0 ~ 50°C
<b>Slots (*)</b>	16 or 15	<b>Operating humidity</b>	0 ~ 95% non-condensing
<b>Material</b>	Aluminum	<b>MTBF</b>	>100000 Hours
<b>Weight</b>	2.5kg	<b>Size(mm)</b>	482(W) x 290(D) x 88(H)

## Part Number Configurator



\* With Redundant Power Supply, 15 slots available

*Due to ongoing technological improvements, product specifications are subject to change without notice. KBC is not liable for any errors, omissions or changes of any description of the goods contained herein. This information is for the sole purpose of identifying the products and KBC makes no warranty that the products conform to any description contained herein. Do not rely solely on any representations, statements, or assertions concerning these Products contained herein.*