



## Product Description

The KBC **eCopper™** line of products offer a cost-effective way to connect the latest IP cameras using existing coax or copper (UTP) wiring to a remote monitoring station. In addition to saving costs and time from cabling infrastructure upgrades to CAT5/5e/6, **eCopper™** powers both its transmitter and remote cameras, eliminating the need for any additional power source at the camera site. **eCopper™** also extends the IP camera cable run distance from 100 to 300 meters, making it ideal for upgrading analog to IP cameras and other systems in large corporate buildings, retail, casinos, banks, prisons, stadiums and other applications.

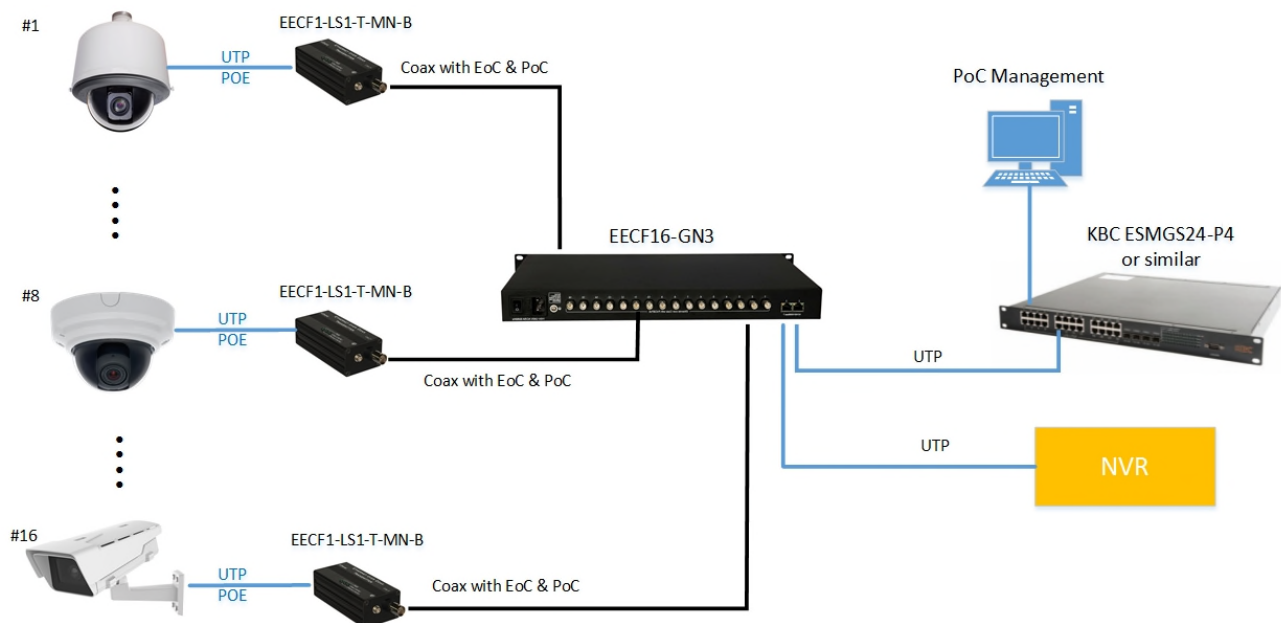


The KBC EECF1-LS1-T-MN-B is a fully ruggedized Ethernet over coax transmitter. This transmitter provides connectivity for one 10/100Mbps IEEE standard twisted pair copper port over a 75ohm coaxial cable. Power is supplied from one of the headend Receivers, EECF16-GN3-R, EECF8-GN3-R, EECF4-DN1-R, or EECF1-LN1 -R Ethernet over coax switch through the coaxial cable by Power over Coax (PoC) technology. This transmitter provides PoE/PoE+ support. Varying data rates are supported depending on cable distance and quality. The plug-and-play design ensures ease of installation with no electrical adjustment needed. LED indicators are provided to show the operational status of the unit. The size of the transmitter is suited for fitting inside camera housing and where space is minimal.

## Product Features

- PoE+ (30W) and Power over Coax
- Directly supply PoE power to PD. No negotiation is performed.
- Coax data rate >50Mbps (300m) based on coax quality
- PoE+ is supported up to 300m based on coax quality and applied voltage to headend
- Powered by PoC from Headend: EECF16-GN3-R, EECF8-GN3-R, EECF4-DN1-R, or EECF1-LN1-R
- Complete protection design including surge protection, lightning protection
- Unique PoC transmission protection design together with 1,4,8 and 16 channels receiver headend

## Typical System Configuration



## Specifications

### Standards

IEEE Standard	IEEE 802.3 10BASE-T IEEE 802.3u 100BASE-TX IEEE 802.3x Full Duplex
---------------	--

### LAN Port

Data Rate	10/100Mbps auto-sensing Half & full duplex
-----------	---

### PoE <sup>(1)</sup>

Type	Power sourcing
PoE Negotiation	Not performed
Power Pin Assignment	1/2(+), 3/6(-)
PoE Power Output	30 watts max.

### Coax Port

Cable	Coaxial Cable (75Ω)
Data Rate <sup>(2)</sup>	>50Mbps (300m)
Maximum PoE Distance <sup>(3)</sup>	700m
Maximum PoE+ Distance <sup>(3)</sup>	300m

### Power

Power Input	>40Vdc PoC
Power Consumption	≤1W (Without PoC)

### Environmental

Operating Temperature	-20° ~ +70° C
Storage Temperature	-40° ~ +85° C
Operating Humidity	0 to 95% non-condensing
Mean Time Between Failure (MTBF)	> 100,000 Hours

### Mechanical

Dimensions (L x W x H)	76mm x 37mm x 29mm
Mount	Metal clip mount

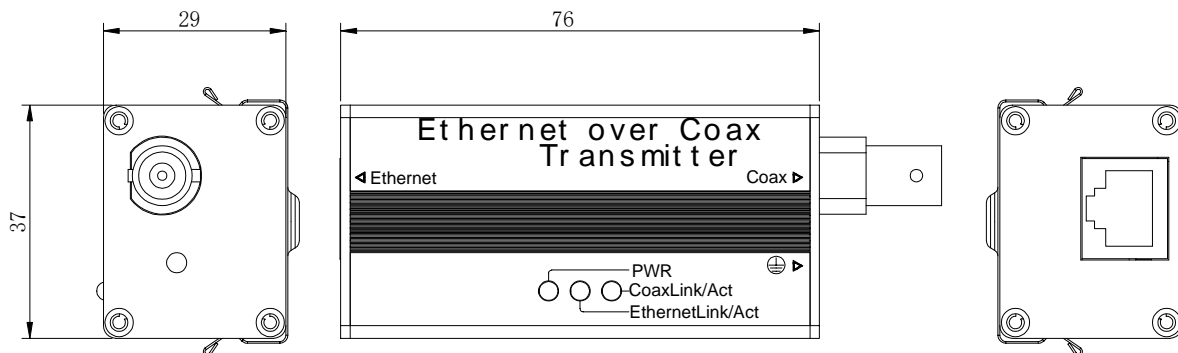
### Connectors

Ethernet	RJ45
Coax	BNC

### Protection

Surge	Coax: 6kV; Ethernet: 2kV
-------	--------------------------

## Dimension



## Part Number

**EECF1-LS1-T-MN-B**

- (1) PoE power may not work camera/powered device that requires IEEE802.3af/at negotiation between PSE and PD.
- (2) The data is based on RG59 and is related to coax quality.
- (3) The data is based on the RG59 test; it is related to coax quality and applied voltage(48-57VDC) to receiver end.

*Due to ongoing technological improvements, product specifications are subject to change without notice. KBC is not liable for any errors, omissions or changes of any description of the goods contained herein. This information is for the sole purpose of identifying the products and KBC makes no warranty that the products conform to any description contained herein. Do not rely solely on any representations, statements, or assertions concerning these Products contained herein.*