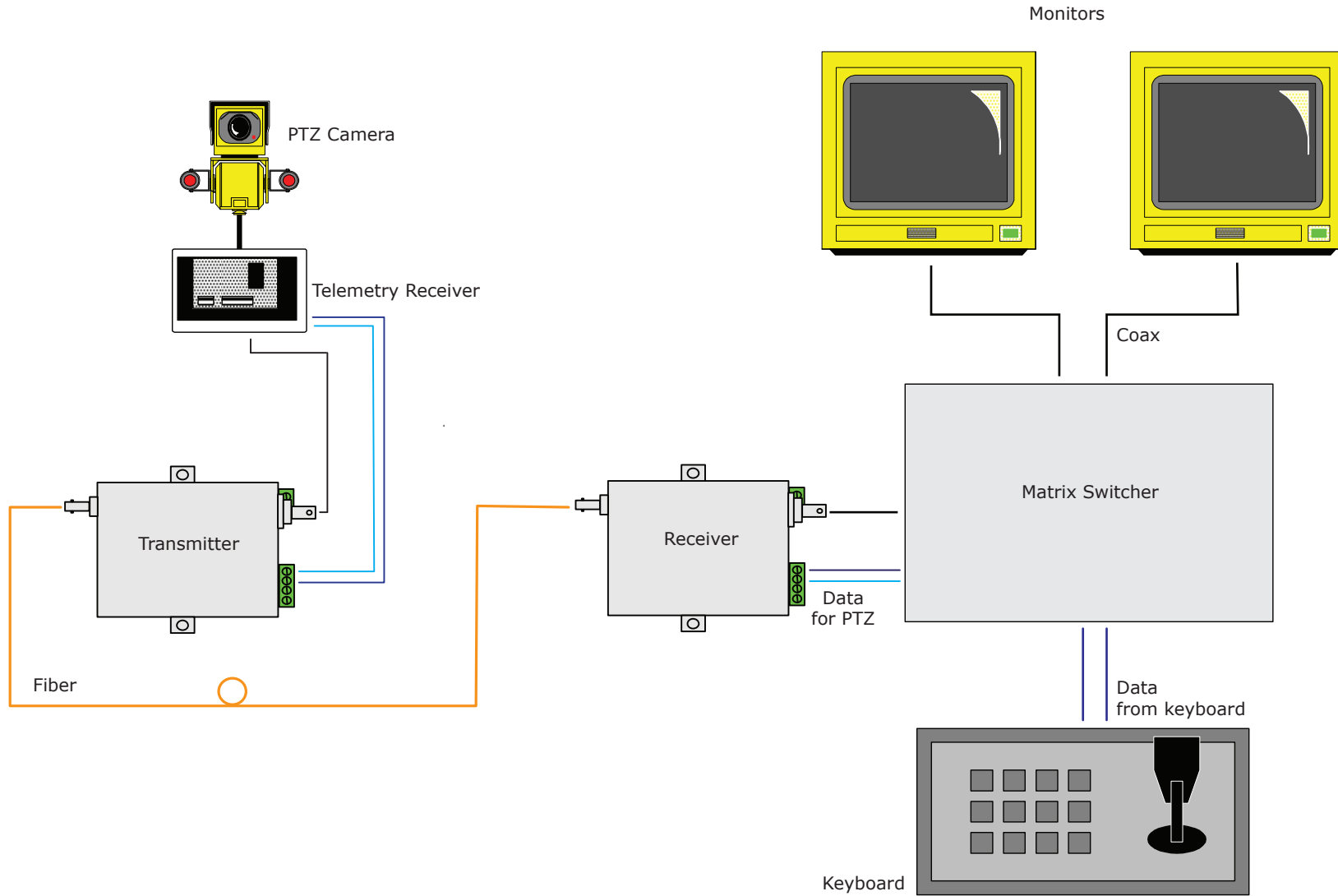


Basic PTZ Camera System over Fiber



Due to ongoing technological improvements, product specifications are subject to change without notice. This diagram is for illustration only. It assumes an ideal RF environment. Due to adverse, site-specific wireless conditions, KBC Networks cannot guarantee the operation of the system as depicted in this diagram. A bench test is highly recommended for familiarization and easier troubleshooting should it be necessary. Environmental restrictions could require reconfiguration to some degree including, but not limited to, the need for upgraded antenna options. Researched by KBC Networks Technical Support Group, this drawing was assembled and at the time of publication is believed to be accurate. This information remains the property of KBC Networks and is subject to change at any time. For the current release of this drawing, please contact KBC Networks.