

## Product Description

The VE PoE power injector series provides IEEE802.3af and IEEE802.3at compliant PoE outputs from a 12 or 24V dc source. The units include an integrated PoE injector to apply the output power to a CAT5 cable.

The output voltage is regulated 18, 24, 48 or 48-56Vdc from an input voltage between 9 and 36Vdc. The units feature isolated inputs for connecting two power sources to allow for primary and back-up power.

For industrial applications, a metal enclosure is available. Please contact KBC for details.

The KBC-VE-DC/DC-1248P and KBC-VE-DC/DC-2448P accept Gigabit data to a shielded RJ45 output supplying power on the unused Ethernet pins 4,5(V+) and 7,8(V-)



## Product Features

- IEEE802.3af & IEEE802.3at compliant
- Integrated 10/100Mbps and 1000Mbps Gigabit PoE inserters
- Wide operating temperature range
- Short-circuit, over current & reverse/over voltage protection

## Part Numbers

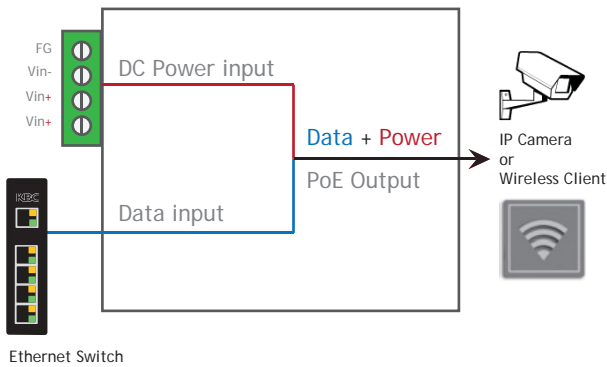
Part Number	Input (Vdc)	Output (Vdc)	Description
KBC-VE-DC/DC-18	9-36	18	18W dc to dc converter / PoE inserter
KBC-VE-DC/DC-24	9-36	24	19W dc to dc converter / PoE inserter
KBC-VE-DC/DC-48M	9-36	48	24W dc to dc converter / PoE inserter with metal case
KBC-VE-DC/DC-1248P	10-15	56 IEEE802.3af/at	35W dc to dc converter / PoE inserter
KBC-VE-DC/DC-2448P	9-36	18 IEEE802.3af/at	35W dc to dc converter / PoE inserter

# Specifications

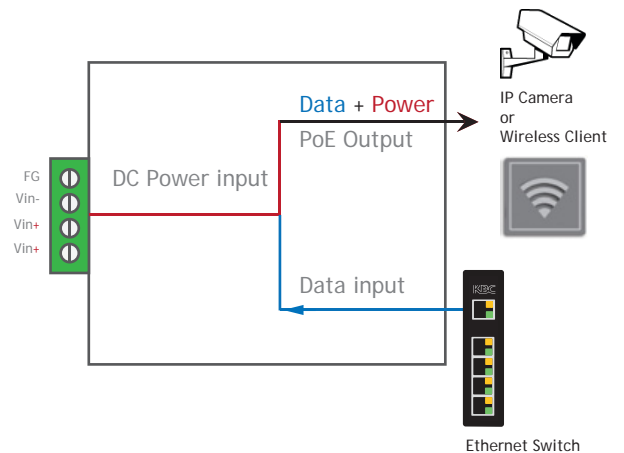
	KBC-VE-DC/DC-18	KBC-VE-DC/DC-24	KBC-VE-DC/DC-48M	KBC-VE-DC/DC-1248P	KBC-VE-DC/DC-2448P
<b>Power</b>					
DC Voltage input (Vdc)	9-36	9-36	9-36	10-15	18-36
DC Voltage output (Vdc $\pm$ 2.5%)	18 (passive)	24 (passive)	48 (passive) compliant	56 IEEE802.3af/at compliant	56 IEEE802.3af/at
Output current / power (max)	1.0A/18W	0.8A/19W	0.5A/24W	0.625A/35W	0.625A/35W
<b>Data</b>					
Transfer rate	10/100Mbps	10/100Mbps	10/100Mbps	10/100/1000Mbps	10/100/1000Mbps
<b>Environmental</b>					
Operating Temperature		-30°C ~ +60°C / -22°F ~ +140°F			
Humidity		5% ~ 90% RH			
Storage Temperature		-40°C ~ +80°C / -40°F ~ +176°F			
Efficiency (min)		75% minimum			
Self consumption power		1.0W			
Line / Load regulation		1% / 5%			
Ripple / Noise		1%			
EMC Safety Standards		FCC Class B, NE55022 Class B / UL 1950, CSA22.2 & TUV EN60950			
<b>Mechanical</b>					
Dimensions (l x w x h)	85 x 76 x 36mm / 3.4 x 3 x 1.4"			125 x 75 x 38mm / 4.9 x 3 x 1.5"	
Weight	134g / 4.7oz			300g / 10.6oz	
<b>Connectors</b>					
Dc Input		Removable screw terminal, 12AWG max			
Data in & data / PoE out		Shielded RJ45			

## PoE Diagrams

KBC-VE-DC/DC-18, KBC-VE-DC/DC-24 & KBC-VE-DC/DC-48M



KBC-VE-DC/DC-1248P & KBC-VE-DC/DC-2448P



## DC Input Connector

FG	Frame ground
Vin-	Do not connect to Vin
Vin+	DC(-) Voltage input
Vin+	DC(+) Voltage input isolated input #1
Vin+	DC(+) Voltage input isolated input #2



Peak sun hours map and table courtesy of Vorp Energy

Due to ongoing technological improvements, product specifications are subject to change without notice. KBC is not liable for any errors, omissions or changes of any description of the goods contained herein. This information is for the sole purpose of identifying the products, and KBC makes no warranty that the products conform to any description contained herein. Do not rely solely on any representations, statements, or assertions concerning these Products contained herein.