



Product Description

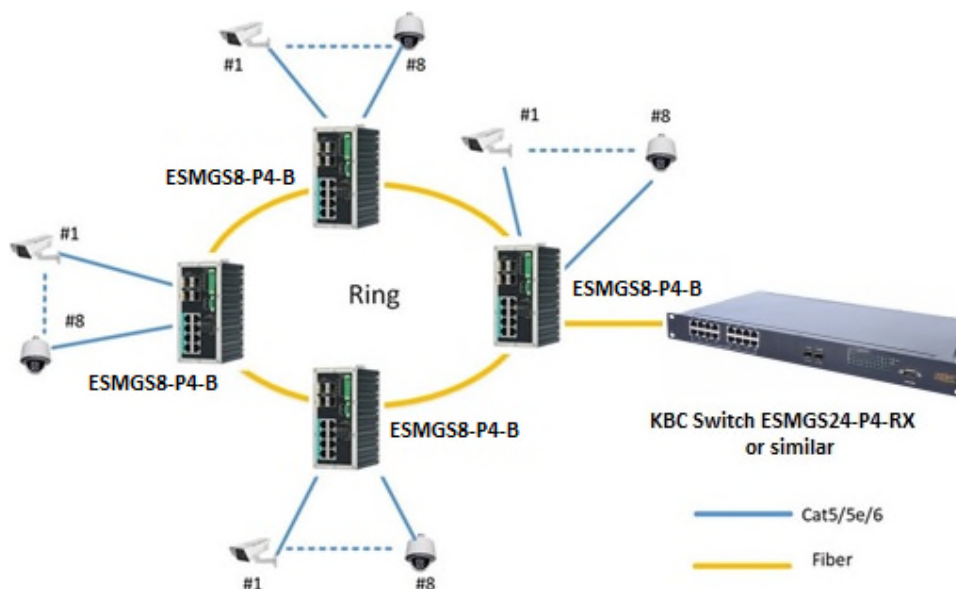
The KBC ESMGS8-P4-B series is a high performance 12 port, industrial, managed gigabit switch with eight 10/100/1000M PoE ports and four gigabit SFP ports. The eight PoE ports support IEEE802.3af/at standard. The switch supports Ethernet Ring Protection Switching (ERPS) as well as STP/RSTP/MSTP. It also supports Web-based network management, VLAN, QoS, SNMP, IGMP snooping and other network functions. LED indicators provide the connection status when using SFP option. Rugged design with IP40 enclosure and industrial level 3 protection makes it suitable for a lot of application such as Intelligent Transportation System, IP surveillance applications and industrial networks. The product is available for DIN or wall-mount configurations.



Product Features

- 8* 10/100/1000Base-T Ethernet ports (PoE)
- 4* 1000BASE-X SFP ports
- EPRS (typical recovery time < 30ms over 250 units of connection)
- Different redundancy protocols and standards STP / RSTP / MSTP
- SNMPv1/v2c/v3 & RMON & Port base/802.1Q VLAN network management
- WEB, Telnet, SSH, Console (CLI)
- Open and close port, binding MAC and port
- 802.1x network access control
- 802.1Q protocol, Isolate network flow
- Radius Centralized password management
- IGMP Snooping multicast function
- IEEE802.3af/at standard.
- Overload current protection and reverse polarity protection
- LED displays connection status when using SFP
- IP40 enclosure protection
- Unique DIN mount design makes mount and removal easy

Typical System Configuration



Specifications

Standards

IEEE Ethernet Standards	IEEE 802.3, IEEE 802.3u, IEEE 802.3ab, IEEE 802.3z, IEEE 802.3x, IEEE 802.3ad, IEEE 802.3az, IEEE 802.1d, IEEE 802.1p, IEEE 802.1q, IEEE 802.1w, IEEE 802.1s, IEEE 802.1x IEEE 802.1w, IEEE 802.1s, IEEE 802.1x
-------------------------	--

Ports

10/100/1000Base-T	8
1000Base-X SFP ⁽¹⁾	4

Switch Performance

Architecture	Store-and-forward
Bandwidth	24Gbps
Buffer	4M
Mac Address Table	8192

PoE

Standard	IEEE802.3af/at
PSE Type	End-span
Power Pin Assignment	1/2 (+), 3/6 (-)
Power Output ⁽²⁾	Each port up to 30W

Management

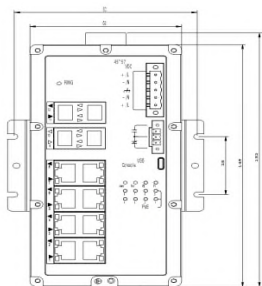
Port configuration	Port enable/disable; Port rate settings; Full-duplex mode; Flow control;
VLAN	4K VLAN; Port-based VLAN; 802.1Q VLAN protocol
Multicasting	SNMP V1/V2/V3 protocols; IGMP Snooping IGMP multicast group:1024

Console Port

USB(115200-8-N-1)

Mechanical

Enclosure	IP40
Dimension (W×D×H)	68mm × 102.5mm × 146mm
Weight	0.9kg



PoE Management

Total Power Consumption Control;
PoE ON/OFF; Port Output Priority;

Security Feature

Enable/disable ports
MAC based port security
Port based network access control (802.1x); VLAN (802.1Q);
Radius centralized password Management;
SNMP v1/v2c/v3 encrypted authentication and access security

Protocols

ERPS/STP/RSTP/MSTP, STNP, 1588 PTP Client, DHCP Server/Client, MVR, IGMP v1/v2, GMRP, GVRP, SNMP v1/v2c/v3, TFTP, RMON, RARP, HTTP, HTTPS, Telnet, SSH, Syslog LLDP, IPv6, NTP Server/Client

Warning & Monitoring

Relay output for fault event alarming
Syslog to record and view events
Event selection support

Relay Output

1A@24VDC NC or NO

Power ⁽³⁾

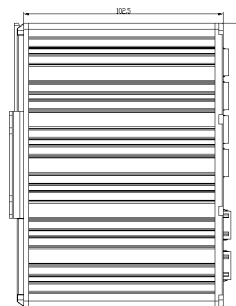
Redundant Power Input	46 - 57Vdc
Power Consumption	< 10W (Without PoE output)
POE budget	240W
Overload Current Protection	Yes
Reverse polarity protection	Yes

Protection

Surge	6KV, IEC61000-4-5
ESD	ESD Level 4: IEC61000-4-2 RS Level 3: IEC61000-4-3 EFT Level 4: IEC61000-4-4 CS Level 3: IEC61000-4-6

Environmental

Operating Temperature	-40° ~ +75° C
Storage Temperature	-40° ~ +85° C
Operating Humidity	5% to 95% non-condensing



Order Information

ESMS8-P4-B: Managed, 8*10/100/1000 Base-T POE/POE+, 4Gigabit SFP

1. SFP module sold separately
2. Each port supports maximum 30W output. Output can be managed via Web software.
3. Power supply sold separately.

Due to ongoing technological improvements, product specifications are subject to change without notice. KBC is not liable for any errors, omissions or changes of any description of the goods contained herein. This information is for the sole purpose of identifying the products and KBC makes no warranty that the products conform to any description contained herein. Do not rely solely on any representations, statements, or assertions concerning these Products contained herein.