



## Product Description

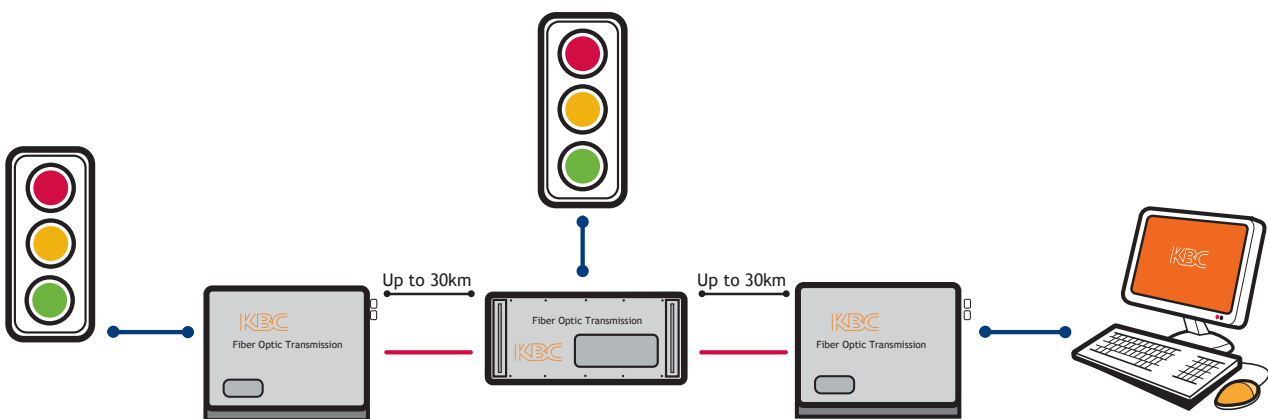
The KBC FTC and FTCB series products provide an optical point-to-point or bus network connection for CAN bus data interfaces on one or two, multimode or singlemode optical fibers. The FTC units operate as the end or terminal points and provide an electrical connection and a two fiber optical connection. The FTCB units act as in-line repeater stations and provide a single electrical connection and two optical connections, one upstream and one downstream. The FTC and FTCB units support both Basic (CAN 2.0A) and Full (CAN 2.0B) CAN standards and are transparent to all high level protocols. This series is available in either wall-mount, DIN rail or 3U chassis card configurations.

## Product Features

- Up to 1Mbps data rate
- Switchable 110Ω line termination
- Multimode and singlemode
- Single fiber solution
- Wall-mount, rack or chassis configurations



## Typical System Configuration



# Specifications

## Data

Data Formats	CAN 2.0B - ISO11898
Two Way Channels	1
CAN Data Rate	Up to 1 Mbps
Bit Error Rate	<1 x 10 <sup>-12</sup>

## Optical

Wavelength	1310nm or 1550nm
Fiber	Multimode or Singlemode
Number of Fibers	1 or 2 (between each unit)

## Power

Power Input Wall-mount & DIN Rail	+12 Vdc @ 340mA
Power Supply for Wall-mount <sup>(1)</sup>	Input: 100 - 240 Vac Output: +12 Vdc UL and cUL listed PSU
Rack Module <sup>(1)</sup>	Input: 100 - 240 Vac @ 2A
Chassis Card	Supplied from FR3 PSU

## Environmental

Operating Temperature	-40° ~ +74° C / -40° ~ +165° F
Storage Temperature	-40° ~ +74° C / -40° ~ +165° F
Operating Humidity	0 to 95% non-condensing
Mean Time Between Failure (MTBF)	>100,000 Hours

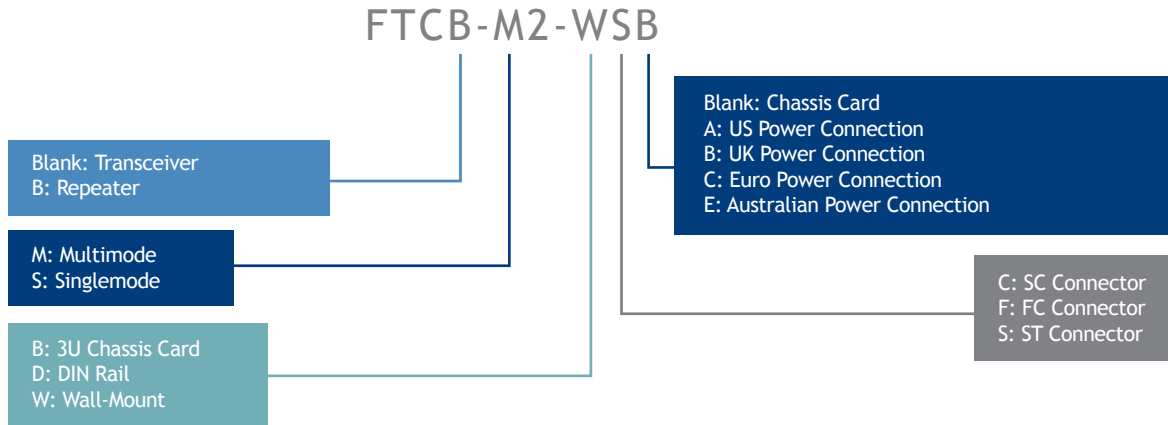
## Mechanical

Dimensions (Wall-mount, DIN Rail) <sup>(5)</sup>		
FTC (L x W x H)	72mm x 59mm x 44mm (2.83" x 2.32" x 1.73")	
FTCB (L x W x H)	135mm x 116mm x 36mm (5.31" x 4.57" x 1.42")	
Number of 3U Chassis Card Slot <sup>(2)</sup>		1

## Connectors

Data		4 Way Screw Block terminal
Fiber		ST, SC or FC (ST fitted as standard)
Power <sup>(3)</sup>	Wall-mount & DIN	Screw Block Terminal Rack IEC

# Part Number Configurator



# Optical Budget

Part Code	Fiber Type	No.	Optical Budget			Wavelength	Approximate Transmission Distance <sup>(4)</sup>
			50µm	62,5µm	9µm		
FTC-M2-*	Multimode	2	11dB	15dB		1310	0-4km
FTC-M1-*	Multimode	1	11dB	15dB		1310/1550	0-4km
FTCB-M2-*	Multimode	2	11dB	15dB		1310	0-4km
FTCB-M1-*	Multimode	1	11dB	15dB		1310/1550	0-4km
FTC-S2-*	Singlemode	2			15dB	1310	0-30km
FTC-S1-*	Singlemode	1			15dB	1310/1550	0-30km
FTCB-S2-*	Singlemode	2			15dB	1310	0-30km
FTCB-S1-*	Singlemode	1			15dB	1310/1550	0-30km

All KBC Networks optical transmitters are LASER based.

- 1 Please select the power plug from US Standard, Euro 2 Circular or UK 3 Pin square when placing order.
- 2 Supports maximum of up to 14 single slot cards in each 3U Chassis.
3. Power lines are crimped and fitted to screw block connector in factory.
4. Transmission distance is limited by optical loss of the fiber and loss introduced by connectors, splices and patch panels. Fiber bandwidth also limits the transmission distance.
5. Product body dimensions. Please contact KBC Networks for product drawing and dimensions of mount.

Due to ongoing technological improvements, product specifications are subject to change without notice. KBC is not liable for any errors, omissions or changes of any description of the goods contained herein. This information is for the sole purpose of identifying the products, and KBC makes no warranty that the products conform to any description contained herein. Do not rely solely on any representations, statements, or assertions concerning these Products contained herein.