

Product Description

The KBC FPA series is part of the ASFOM product family and provides unique, user configurable solutions for audio signals. It supports transmission of up to 128 simplex or 64 duplex audio signals over either one multimode or singlemode optical fiber. Due to the ASFOM flexibility, duplex solutions can either be symmetrical or asymmetrical with respect to the signal quantities.

The plug-and-play design ensures ease of installation with no electrical or optical adjustment needed. LED indicators are provided to clearly show the operational status of the unit. Depending on system requirements, units are available in wall-mount, 1U or 2U 19" rack or 4U chassis card.



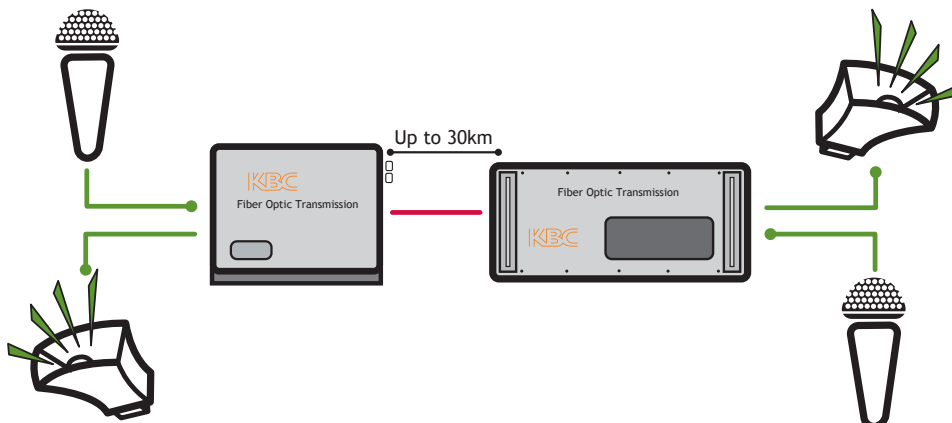
Product Features

- Up to 128 simplex or 64 duplex audio signals
- 24 bit digitally-encoded audio transmission
- Multimode and singlemode
- Wall-mount, rack or chassis configurations
- Unique **Configurator** software package
- No fixed configuration

Specifying your ASFOM Product

The easiest way to specify your ASFOM products is via our Configurator software which is available on-line at www.kbcnetworks.com or it can be sent to you electronically. Using the Configurator, simply enter the number of channels for each signal type you require, and it will work out the product and the part number for you. Alternatively, please contact your local agent or KBC direct, who will configure your product.

Typical System Configuration



Specifications

Audio

No. of Channels	Simplex	128 max
	Duplex	64 max
Bandwidth		10 Hz - 20 kHz
Input/Output Levels		+/- 9dBm, typical 0dBm
Input Impedance		600Ω unbalanced or balanced
Output Impedance		20kΩ unbalanced or balanced
Digital Encoding		24 bits (AES-3)
Sampling Rate		192 kHz
Signal to Noise Ratio		≥80dB
Total Harmonic Distortion		≤0.01%

Optical

Wavelength		1310nm, 1550nm
Fiber		Multimode or singlemode
Number of Fibers		1

Power

Power Input	Wall-mount	+12-24 Vac/dc
Power Supply for Wall-mount ⁽¹⁾		Input: 100 - 240 Vac Output: +12 Vdc
Rack Module ⁽¹⁾		Input: 100 - 240 Vac @ 2A
Chassis Card		Supplied from FR3 or FR4 PSU

Environmental

Operating Temperature		-40° ~ +74° C / -40° ~ +165° F
Storage Temperature		-40° ~ +74° C / -40° ~ +165° F
Operating Humidity		0 to 95% non-condensing
Mean Time Between Failure (MTBF)		>100,000 Hours

Mechanical

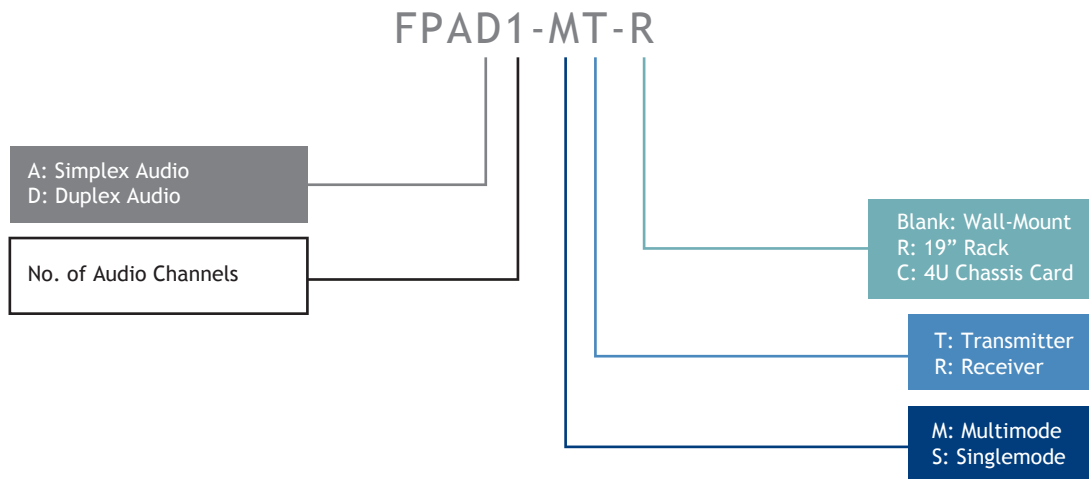
Dimensions (Wall-mount L x W x H) ⁽⁵⁾		221mm x 155mm x 36mm (8.7" x 6.1" x 1.42")
Dimensions (Rack)	1U	19", 1U
	2U	19", 2U

Number of 4U Chassis Card Slots ⁽²⁾ Depends on configuration

Connectors

Audio		6-way screw block terminal
Fiber		ST, SC or FC (ST fitted as standard)
Power ⁽³⁾	Wall-mount	Screw block terminal
	Rack	IEC

Part Number Configurator



Optical Budget

Part Code	Fiber Type	No.	Optical Budget			Wavelength nm	Approximate Transmission Distance ⁽⁴⁾
			50µm	62.5µm	9µm		
FPAA*-M*	Multimode	1	8dB	12dB		1310/1550	0-4km
FPAD*-M*	Multimode	1	8dB	12dB		1310/1550	0-4km
FPAA*-S*	Singlemode	1			18dB	1310/1550	0-30km
FPAD*-S*	Singlemode	1			18dB	1310/1550	0-30km

Transmission distances up to 120km are available please contact KBC Networks for details.
All KBC Networks optical transmitters are LASER based.

1. Please select the power plug from US Standard, Euro 2 Circular or UK 3 Pin square when placing order.
2. Supports maximum of up to 14 single slot cards in each Chassis.
3. Power lines are crimped and fitted to screw block connector in factory.
4. Transmission distance is limited by optical loss of the fiber and loss introduced by connectors, splices and patch panels. Fiber bandwidth also limits the transmission distance.
5. Product body dimensions. Please contact KBC Networks for product drawing and dimensions of mount.

Due to ongoing technological improvements, product specifications are subject to change without notice. KBC is not liable for any errors, omissions or changes of any description of the goods contained herein. This information is for the sole purpose of identifying the products, and KBC makes no warranty that the products conform to any description contained herein. Do not rely solely on any representations, statements, or assertions concerning these Products contained herein.