

# ESUMN8-P2-B

## Quick Start Guide

---



**Rev 1709**

## Index

|     |                               |    |
|-----|-------------------------------|----|
| 1   | INTRODUCTION.....             | 3  |
| 1.1 | ESUMN8-P2-B INTRODUCTION..... | 3  |
| 1.2 | FEATURES .....                | 3  |
| 1.3 | SPECIFICATIONS .....          | 3  |
| 2   | PANEL VIEWS .....             | 5  |
| 2.1 | Front panel view .....        | 5  |
| 3   | DIMENSIONS (UNIT=mm).....     | 7  |
| 4   | MOUNTING .....                | 8  |
| 4.1 | DIN mounting.....             | 8  |
| 4.2 | Wall mounting.....            | 8  |
| 4.3 | Items for attention .....     | 9  |
| 4.4 | Grounding.....                | 9  |
| 5   | <b>Cable</b> .....            | 11 |
| 5.1 | SFP port.....                 | 11 |

# 1 INTRODUCTION

## 1.1 ESUMN8-P2-B INTRODUCTION

ESUMN8-P2-B is an unmanaged full SFP Industrial Ethernet switch with 8\*100Mbps SFP and 2\*1Gbps SFP ports. Industrial level 3 protection design and IP40 enclosure protection makes the product suitable for applications in harsh environments.

## 1.2 FEATURES

- Unmanaged full SFP industrial switch
- 8 100Base-FX SFP, 2 1GBase-FX SFP+
- Dual 12~24VDC power input
- Level 3 ESD protection
- IP-40 housing design
- Operation temperature: -40~+75°C
- Support DIN-rail or wall mounted
- Unique DIN mount design makes mount and remove easy
- Installation: Plug-and-play, no setting required

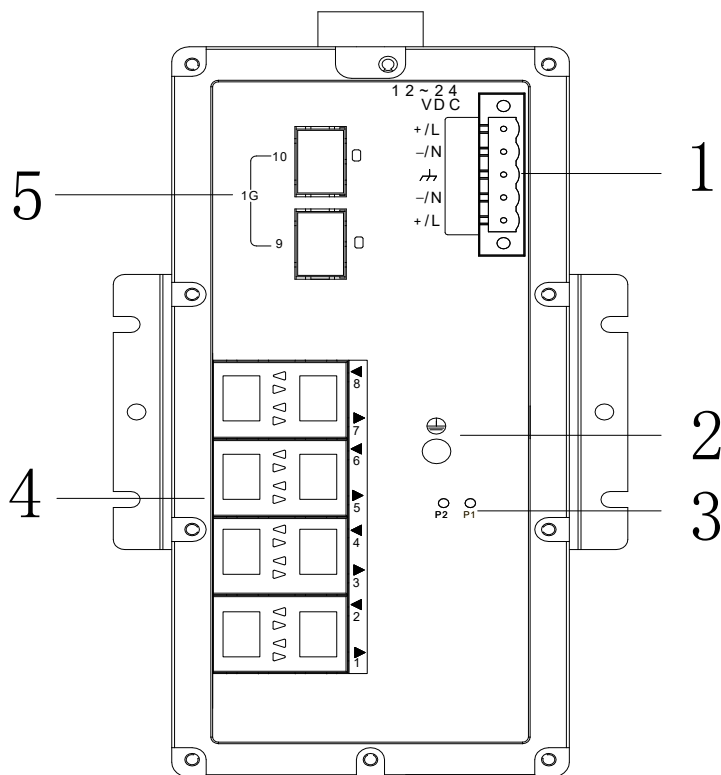
## 1.3 SPECIFICATIONS

|                              |                   |
|------------------------------|-------------------|
| <b>SFP</b>                   |                   |
| 100MBase-FX SFP              | 8                 |
| 1GBase-FX SFP                | 2                 |
| <b>Switching Performance</b> |                   |
| Architecture                 | Store and Forward |

|                             |  |
|-----------------------------|--|
| Switching Capacity          | 5.6Gbps  |
| <b>Power</b>                |  |
| Redundant Input Power       | Dual DC inputs. 12~24VDC, 5-pin screw terminal |
| Power Consumption (Max.)    | < 12W  |
| Overload Current Protection | Present  |
| Reverse polarity protection | Present  |
| <b>Mechanical</b>           |  |
| Enclosure                   | IP40   |
| Dimension (W x D x H)       | 68 mm(W) x 105 mm(D) x 146 mm(H)               |
| Weight                      | 0.9Kg  |
| <b>Environment</b>          |  |
| Storage Temperature         | -40 to +85°C (-40 to 185°F)                    |
| Operating Temperature       | -40 to +75°C (-40 to 167°F)                    |
| Operating Humidity          | 5% to 95% Non-condensing                       |

# 2 PANEL VIEWS

## 2.1 Front panel view



1. 12~24VDC power input
2. Grounding screw.
3. PWR status indication
4. 100M SFP ports: #1 ~ #8
5. 1G SFP ports: # 9 ~ #10

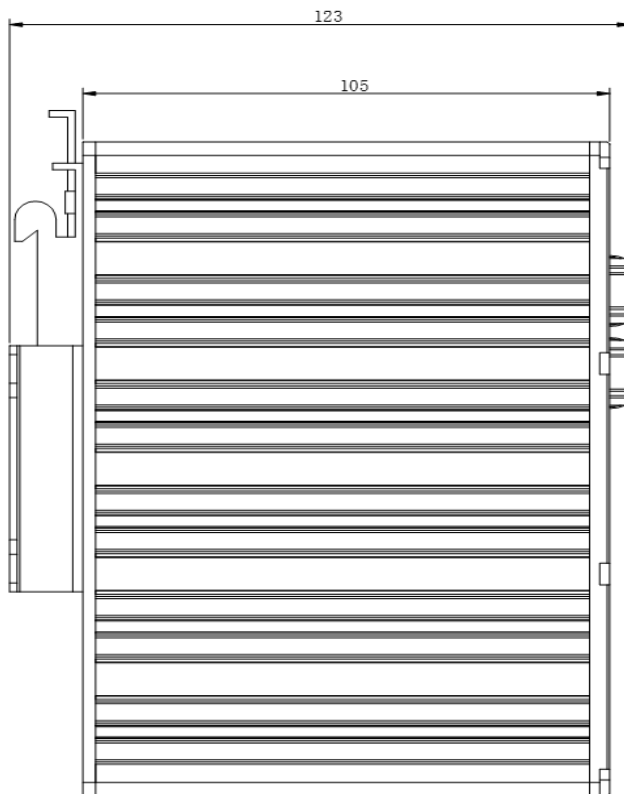
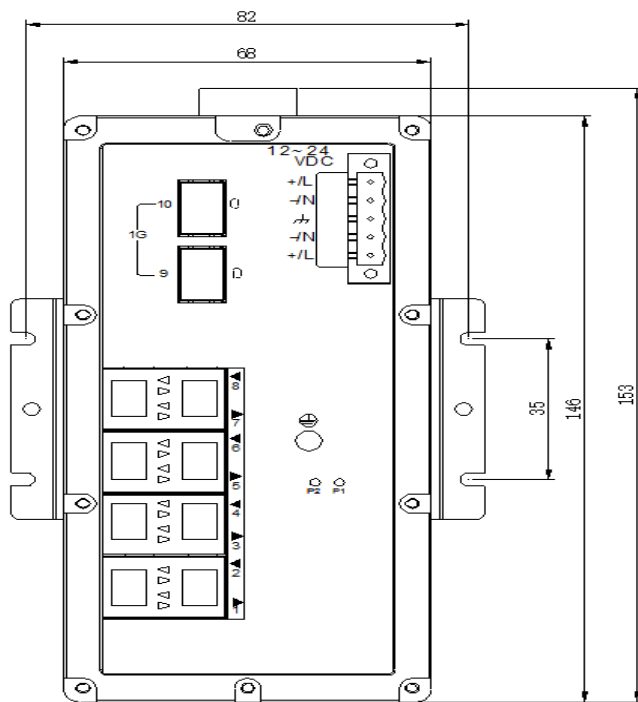
**▲ WARNING: This product MUST be mounted to a well-grounded mounting surface such as a metal panel.**

### Status indicator LED

| LED | Color  | Status | Description               |
|-----|--------|--------|---------------------------|
| P1  | Orange | On     | Power 1 is being supplied |

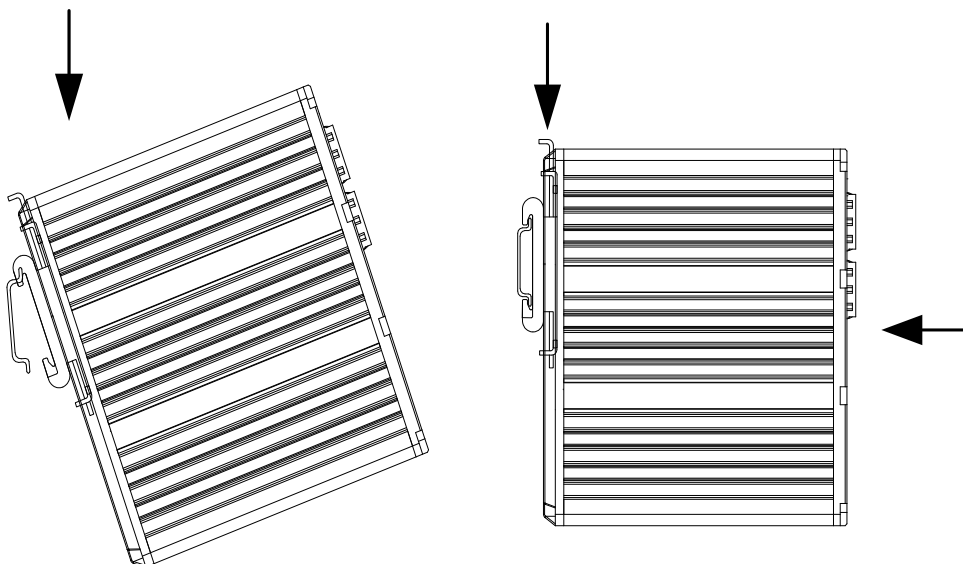
|                 |        |          |   |
|-----------------|--------|----------|---|
|                 |        | Off      | Power 1 is not being supplied           |
| P2              | Orange | On       | Power 2 is being supplied               |
|                 |        | Off      | Power 2 is not being supplied           |
| <b>SFP port</b> |        |          |   |
| LINK            | Green  | On       | The corresponding port's link is active |
| ACT             |        | Blinking | Data is being transmitted               |

# 3 DIMENSIONS (UNIT=mm)



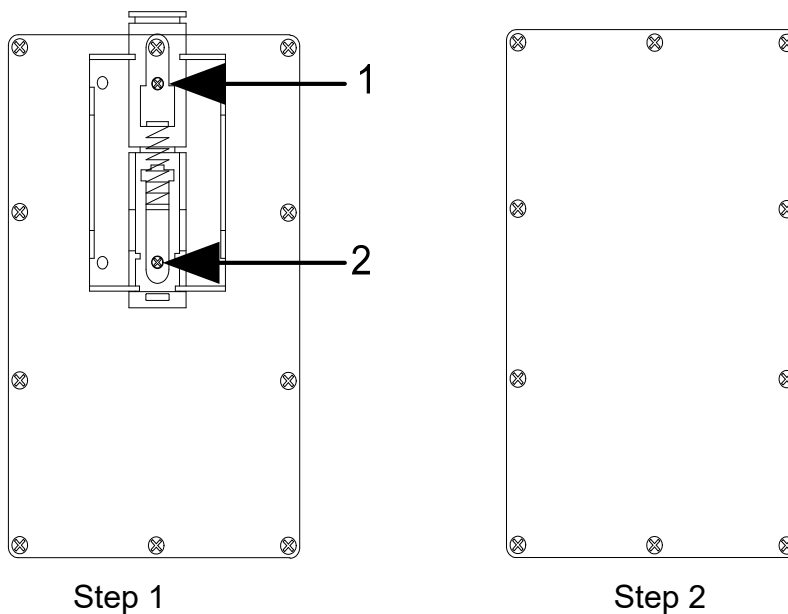
# 4 MOUNTING

## 4.1 DIN mounting

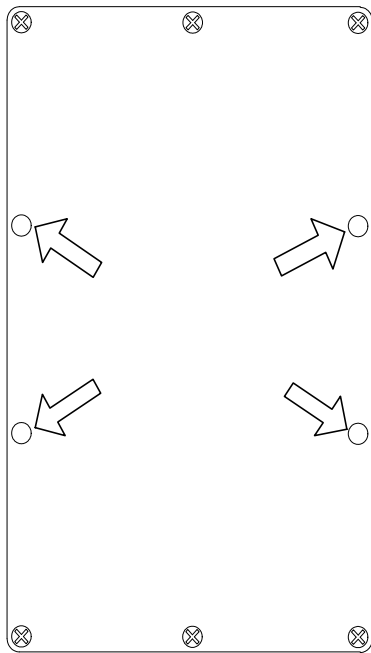


Very simple: Press the clamp, insert into rail then loosen hand

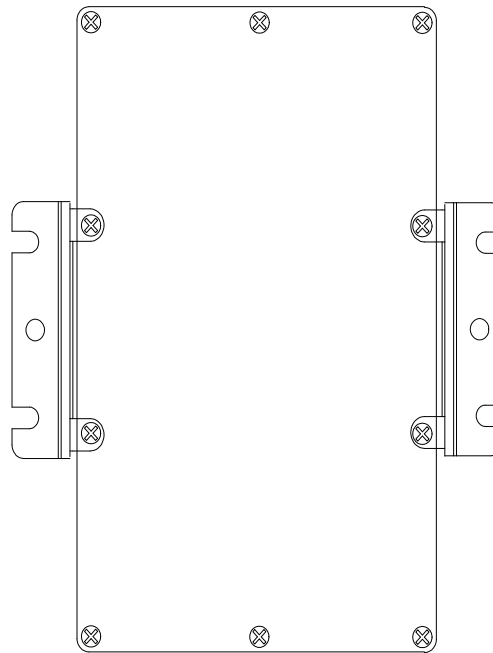
## 4.2 Wall mounting







Step 3



Step 4

Step 1: Remove the guide rail fastener;

Step 2: Remove the DIN clamp in the rear panel;

Step 3: Find the wall mounting accessory, and loosen these 4 screws in the Switch.

Step 4: Mounting the accessory on the rear panel;

Step 5: Fixed the switch on the wall.

### 4.3 Items for attention

- **Operating Ambient:** If the product is installed in a closed rack, the inside operating ambient temperature of the rack may be higher than outside. Therefore, consideration should be given to installing the equipment in an environment compatible with the maximum operating temperature specified by the manufacturer.
- **Air Flow:** Installation of the equipment in a rack should be such that the amount of air flow required for safe operation of the equipment is not compromised.
- **Circuit Overloading:** Consideration should be given to the connection of the equipment to the supply circuit and the effect that overloading of the circuits might have on overcurrent protection and supply wiring.
- **Reliable Earthing:** Reliable earthing of rack-mounted equipment should be maintained. Particular attention should be given to supply connections other than direct connections to the branch circuit (e.g. use of power strips).

### 4.4 Grounding

Grounding and wire routing help limit the effects of noise due to electromagnetic

interference (EMI). Run the ground connection from ground screw to the grounding surface prior to connecting devices.

# 5 Cable

## 5.1 SFP port

SFP port supports both electrical and optical SFP modules. Selecting right SFP modules (rate, MM/SM, 1 fiber/2 fibers) based on application. Please notice that 100M SFP port supports 100Mbps only, and 1G SFP port supports 1Gbps only.

## Need Help?

Please visit our website <http://www.kbcnetworks.com> or contact your nearest KBC office or dealer.

## KBC Networks Office Contact Information

North & Latin America, USA

Phone: +1 949 297 4930

Toll-free: +1 888 366 4276

Email: [techsupport@kbcnetworks.com](mailto:techsupport@kbcnetworks.com)

EMEA, UK

Phone: +44(0)1322 312090

Email: [emeatechsupport@kbcnetworks.com](mailto:emeatechsupport@kbcnetworks.com)

APAC

China

Phone (1): +86 25 5882 1665

Phone (2): +86 25 5882 1656

Email: [techsupport@kbcnetworks.com](mailto:techsupport@kbcnetworks.com)

Singapore

Phone: +65 9747 5123

Email: [apactechsupport@kbcnetworks.com](mailto:apactechsupport@kbcnetworks.com)